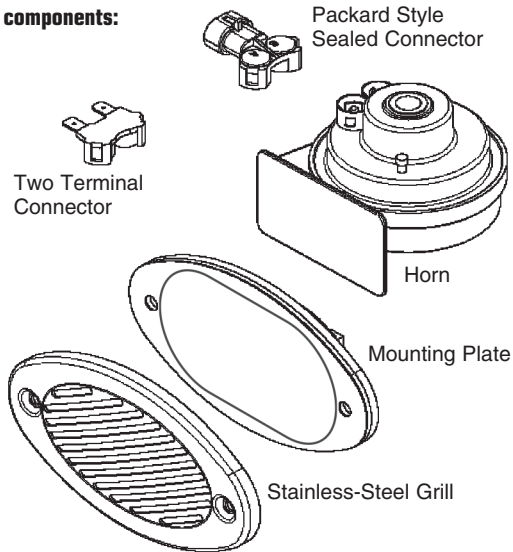


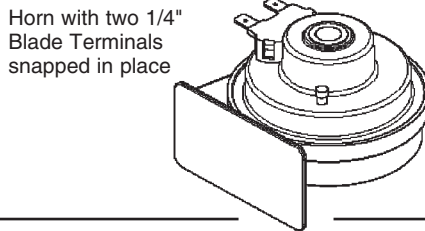
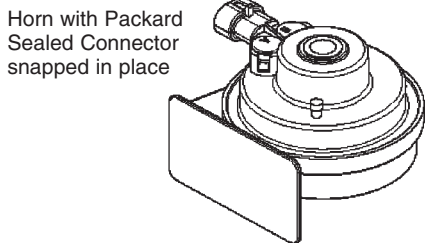


Installation Instructions for P/N 14571 Hidden Horn

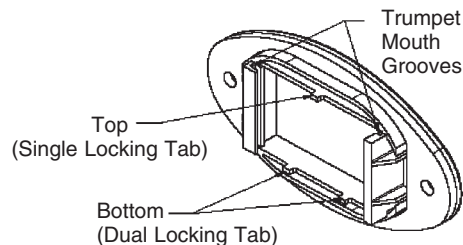
Kit components:



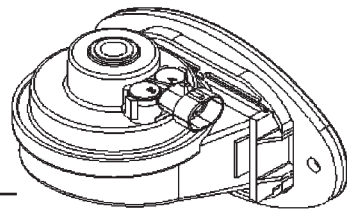
1 Attach desired connector to horn.



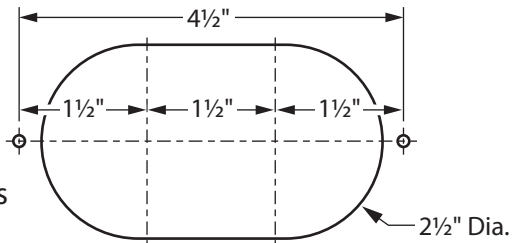
2 Slide the trumpet mouth into the grooves of the mounting plate.



3 Horn locked into place between top and bottom locking tabs.



Cutout Dimensions (NOT TO SCALE)



The Quality Choice

www.seachoice.com

REV. 10/20